

# WALKYKIT 1024

SOLEMYO OPERA BLUEBUS 24V

**For swing gates with leaves up to 1.8 m.**  
Especially suited to gates in wood or PVC.  
Irreversible electromechanical gear motor at 24 Vdc, with articulated arm.

**Ultra compact:** ideal for pedestrian gates, recommended for small posts (width 8 cm).

**Safe:** thanks to the irreversible motor and anti-shear arm with built-in mechanical stop on closure (with installation of entire arm).

**Practical:** the articulated arm enables installation in specific conditions, such as in the presence of small walls or obstacles adjacent to the post.

**Quick:** no waiting in front of the gate, just 7 seconds to open or close (in optimal installation conditions, with reduced arm and 90° opening).

**Convenient:** incorporable flashing LED indicator, with courtesy light function (WLT, optional); rapid motor release for manual movement of the gate.

**Built-in control unit:**

- simple programming;
- self-learning of opening and closing limit positions;
- automatic fault diagnostics;
- programming of pause time;
- pedestrian pass door;
- deceleration on opening and closing;
- provision for connection of latest generation resistive sensitive edges.

**No black out:** operation in the event of a power failure by means of optional batteries (PS424) housed inside the motor.

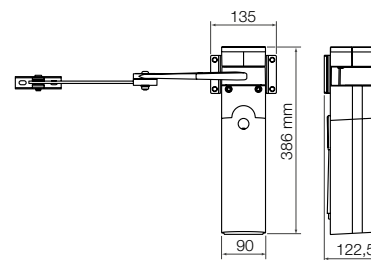
CODE	DESCRIPTION	PACK/PALLET
WALKY1024KCE	KIT FOR SWING GATES WITH LEAVES UP TO 1.8 m, 24 Vdc, SURFACE MOUNTED	18

**N.B.** The content of the package may vary; consult the retailer.

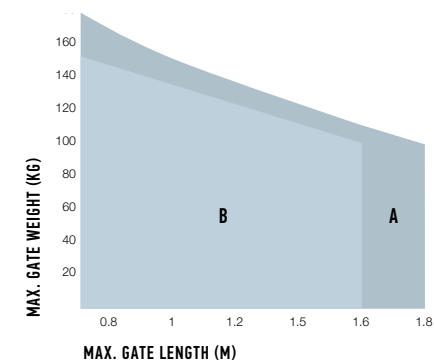
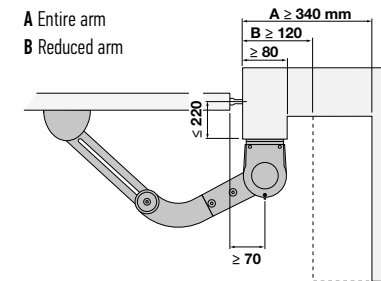
**TECHNICAL SPECIFICATIONS**

CODE	WL1024C
<b>ELECTRICAL DATA</b>	
POWER SUPPLY (Vac 50/60 Hz)	230
POWER SUPPLY (Vdc)	-
ABSORPTION (A)	0.8
POWER (W)	120
<b>PERFORMANCE DATA</b>	
SPEED (rpm)	1.5 - 2.2
TORQUE (Nm)	120
WORK CYCLE (CYCLES/HOUR)	50
<b>DIMENSIONAL AND GENERAL DATA</b>	
PROTECTION LEVEL (IP)	44
WORKING TEMP. (°C MIN/MAX)	-20° ÷ +50°
DIMENSIONS (mm)	90x125x385 h
WEIGHT (kg)	4,8

**DIMENSIONS**



**UTILISATION LIMITS**



The shape, the height of the gate and the weather conditions can considerably reduce the values shown in the graph to the side.

**THE KIT CONTAINS:**



**WL1024C**  
1 ELECTROMECHANICAL GEAR MOTOR, SURFACE MOUNTED, WITH BUILT-IN CONTROL UNIT AND OXI PLUG-IN RECEIVER.

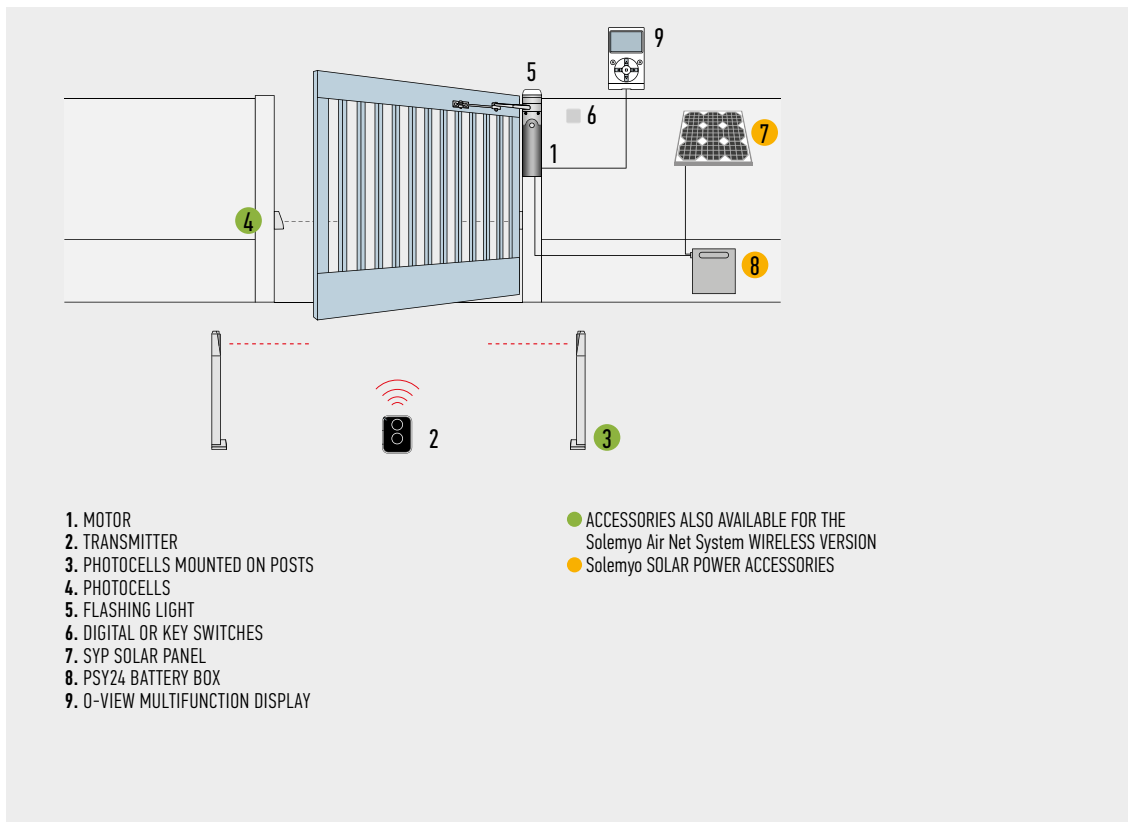
**ON2E**  
1 TRANSMITTER  
433.92 MHz, 2 CHANNELS.



**TS**  
1 SIGNBOARD.



## INSTALLATION DIAGRAM



Nice recommends customers order products in pallets in order to facilitate storage and delivery, and ensure packs are uniform. The number of packs per single pallet has been specified for this reason. Approximate draft.

## ACCESSORIES



**WLA1**  
 SPARE CONTROL UNIT,  
 FOR WL1024C.



**PS424**  
 BUFFER BATTERY.  
 PC/PACK 1



**PLA10**  
 VERTICAL 12 V ELECTRIC  
 LOCK (REQUIRED FOR GATES  
 LONGER THAN 3 m).  
 PC/PACK 1



**PLA11**  
 HORIZONTAL 12 V ELECTRIC  
 LOCK (REQUIRED FOR GATES  
 LONGER THAN 3 m).  
 PC/PACK 1



**WLT**  
 MULTI-FUNCTION LED  
 INDICATOR.  
 SEE PAGE 199  
 PC/PACK 1



**KIT SOLEMYO**  
 THE SOLAR POWER TO  
 AUTOMATE GATES, GARAGE  
 DOORS OR BARRIER GATES.  
 SEE PAGE 200

FOR SWING GATES

FOR SLIDING GATES

BARRIER GATE  
 OPERATOR SYSTEMS

FOR GARAGE  
 AND INDUSTRIAL DOORS

CONTROL SYSTEMS  
 AND ACCESSORIES

COMPATIBILITY TABLE  
 AND ALPHABETICAL INDEX

# WALKYKIT 2024

SOLEMYO OPERA BLUEBUS 24V

**For swing gates with leaves up to 1.8 m.**  
Especially suited to gates in wood or PVC.  
Irreversible electromechanical gear motor at 24 Vdc, with articulated arm.

**Ultra compact:** ideal for pedestrian gates, recommended for small posts (width 8 cm).

**Safe:** thanks to the irreversible motor and anti-shear arm with built-in mechanical stop on closure (with installation of entire arm).

**Practical:** the articulated arm enables installation in specific conditions, such as in the presence of small walls or obstacles adjacent to the post.

**Quick:** no waiting in front of the gate, just 7 seconds to open or close (in optimal installation conditions, with reduced arm and 90° opening).

**Convenient:** incorporable flashing LED indicator, with courtesy light function (WLT, optional); rapid motor release for manual movement of the gate.

**Built-in control unit:**

- simple programming;
- self-learning of opening and closing limit positions;
- automatic fault diagnostics;
- programming of pause time;
- pedestrian pass door;
- deceleration on opening and closing;
- provision for connection of latest generation resistive sensitive edges.

**No black out:** operation in the event of a power failure by means of optional batteries (PS424) housed inside the motor.

**NEW** The new Era Gate accessories, with a minimal, modern and discreet design, renovate Nice kits' style and performance.

Discover the complete range at page 184

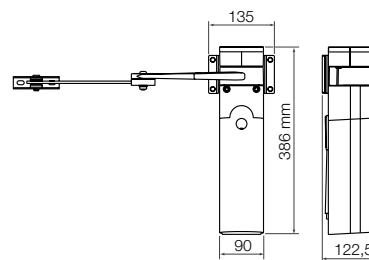
CODE	DESCRIPTION	PACK/PALLET
WALKY2024KCE	KIT FOR SWING GATES WITH LEAVES UP TO 1.8 m, 24 Vdc, WITH ARTICULATED ARM, SURFACE MOUNTED	18

**N.B.** The content of the package may vary: consult the retailer.

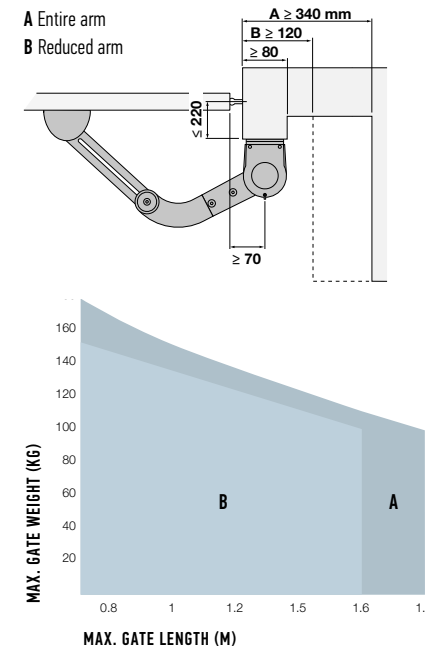
**TECHNICAL SPECIFICATIONS**

CODE	WL1024C	WL1024
<b>ELECTRICAL DATA</b>		
POWER SUPPLY (Vac 50/60 Hz)	230	-
POWER SUPPLY (Vdc)	-	24
ABSORPTION (A)	0.8	2
POWER (W)	120	30
<b>PERFORMANCE DATA</b>		
SPEED (rpm)	1.5 - 2.2	
TORQUE (Nm)	120	
WORK CYCLE (CYCLES/HOUR)	50	
<b>DIMENSIONAL AND GENERAL DATA</b>		
PROTECTION LEVEL (IP)	44	
WORKING TEMP. (°C MIN/MAX)	-20° ÷ +50°	
DIMENSIONS (mm)	90x125x385 h	
WEIGHT (kg)	4,8	4,3

**DIMENSIONS**



**UTILISATION LIMITS**



The shape, the height of the gate and the weather conditions can considerably reduce the values shown in the graph to the side.

**THE KIT CONTAINS:**

**WL1024C + WL1024**  
2 ELECTROMECHANICAL GEAR MOTORS, SURFACE MOUNTED.  
WL1024C (WITH CONTROL UNIT AND OXI PLUG-IN RECEIVER), WL1024 (WITHOUT CONTROL UNIT).



**ON2E**  
1 TRANSMITTER  
433.92 MHz, 2 CHANNELS.



**NEW**

**EPMB**  
1 COUPLE OF EXTERNAL PHOTOCELLS DESIGNED FOR CONNECTION BY NICE BLUEBUS.



**NEW**

**EKS**  
1 KEY SELECTOR SWITCH FOR OUTDOOR INSTALLATION.



**WLT**  
1 FLASHING LIGHT.



**TS**  
1 SIGNBOARD.



## INSTALLATION DIAGRAM



Nice recommends customers order products in pallets in order to facilitate storage and delivery, and ensure packs are uniform. The number of packs per single pallet has been specified for this reason. Approximate draft.

## ACCESSORIES



**WLA1**  
 SPARE CONTROL UNIT,  
 FOR WL1024C.



**PS424**  
 BUFFER BATTERY.  
 PC/PACK 1



**PLA10**  
 VERTICAL 12 V ELECTRIC  
 LOCK (REQUIRED FOR GATES  
 LONGER THAN 3 m).  
 PC/PACK 1



**PLA11**  
 HORIZONTAL 12 V ELECTRIC  
 LOCK (REQUIRED FOR GATES  
 LONGER THAN 3 m).  
 PC/PACK 1



**WLT**  
 MULTI-FUNCTION LED  
 INDICATOR.  
 SEE PAGE 199  
 PC/PACK 1



**KIT SOLEMYO**  
 THE SOLAR POWER TO  
 AUTOMATE GATES, GARAGE  
 DOORS OR BARRIER GATES.  
 SEE PAGE 200

FOR SWING GATES

FOR SLIDING GATES

BARRIER GATE  
 OPERATOR SYSTEMS

FOR GARAGE  
 AND INDUSTRIAL DOORS

CONTROL SYSTEMS  
 AND ACCESSORIES

COMPATIBILITY TABLE  
 AND ALPHABETICAL INDEX