

S-BAR

SOLEMYO OPERA BLUEBUS 24V

Electromechanical road barrier system for control of road access.

24 Vdc gear motor with built-in control unit.

For bar up to 4 m.

Strength and reliability: robust structure in steel, new high strength balancing springs guaranteed up to 500,000 opening and closing operations and elliptical section bar with high wind-gust resistance.

Optional flashing or traffic light can be integrated in cover.



More comfort and safety in programming and maintenance phases: the separate enclosures for electronics and mechanics protect internal parts from potential risks.

Rapid and easy access to the control unit located in the upper section of the barrier body.

Simple fixture of the completely concealed photocells onto the specially designed seats on the barrier body.

More safety and reliability: obstacle detection and monitoring of motor absorption during automation movement.

Automatic fault diagnostics during operation with consequent signalling of fault type through specific flash sequences.

Provision for connection of latest generation optical and resistive sensitive edges (with 8.2 KOhm resistance).

Energy saving: the system sets to standby when not in use to save consumption.

No blackouts: emergency backup power with the optional batteries housed inside the case.

Release from side with Nice triangular key, can be installed on either side.

IN ORDER TO HAVE A FULLY FUNCTIONAL BARRIER GATE OPERATOR SYSTEM:

1. CHOOSE THE GEAR MOTOR

2. SELECT THE BAR

3. COMPLETE THE SYSTEM WITH THE OPTIONAL ACCESSORIES

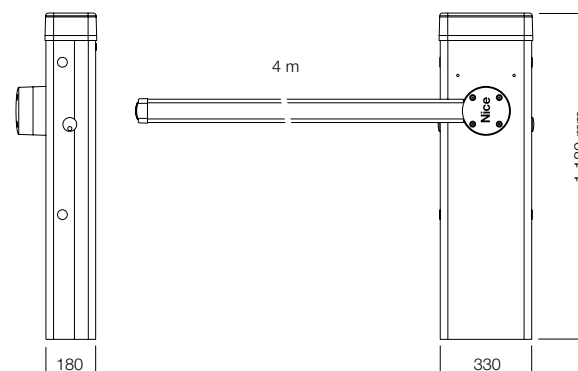
WITH BAR UP TO 4 m, IRREVERSIBLE 230 Vac, 24 Vdc MOTOR, WITH FOUNDATION PLATE:

CODE	DESCRIPTION
SBAR	WITH STEEL CASE WITH PROTECTIVE CATAPHORESIS TREATMENT AND PAINT FINISH
SBARI	WITH STAINLESS STEEL CASE

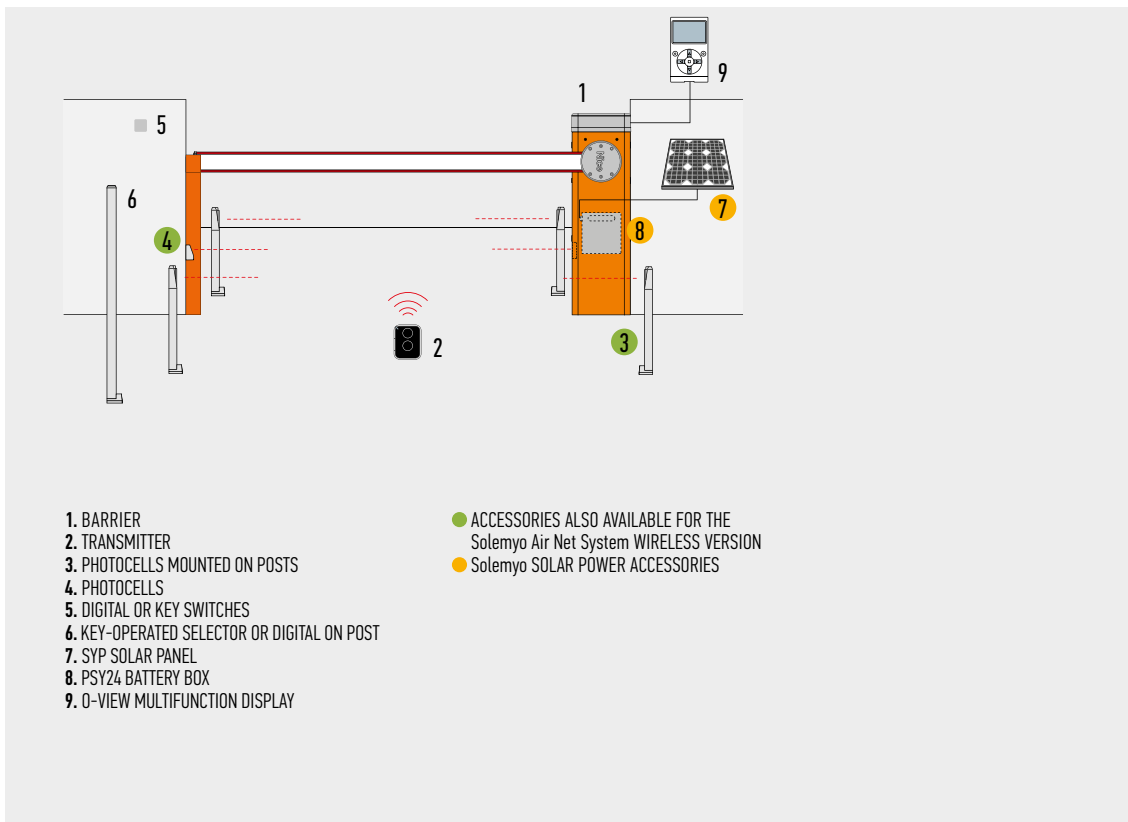
TECHNICAL SPECIFICATIONS

CODE	SBAR	SBARI
ELECTRICAL DATA		
POWER SUPPLY (Vac 50/60 Hz)		230
POWER SUPPLY (Vdc)		24
ABSORPTION (A)		1
POWER (W)		300
PERFORMANCE DATA		
SPEED (S)		<4
TORQUE (Nm)		100
WORK CYCLE (CYCLES/HOUR)		100
DIMENSIONAL AND GENERAL DATA		
PROTECTION LEVEL (IP)		44
WORKING TEMP. (°C MIN/MAX)		-20 ÷ +50
DIMENSIONS (mm)		330x180x1180 h
WEIGHT (kg)		46

DIMENSIONS



INSTALLATION DIAGRAM



COMPATIBILITY TABLE WITH CONTROL SYSTEMS AND ACCESSORIES

CODE	RECEIVER			TRANSMITTER				PHOTOCELLS							FLASHING LIGHT						
	Built-in*	FLOX12R*	OXI	ERA INTI	ERA ONE	ERA FLOR	NICEWAY	EPS	EPM	EPL	EPSB	EPMB	EPLB	F210	FT210	F210B	FT210B	EL	EL24	ELB	WLT
SBAR / SBARI			●	●	●	●	●				●	●	●			●	●			●	●

*Radio receiver incompatible with Opera system

BARS



XBA19
 WHITE PAINT-FINISHED ALUMINIUM BAR
 45x58x4000 mm.
 PC/PACK 1



WA10
 RED ADHESIVE REFLECTOR STRIPS.
 PC/PACK 24



WA11
 ADJUSTABLE STAND FOR BARS.
 PC/PACK 1

ACCESSORIES



XBA20
 SPARE CONTROL UNIT FOR SBAR.
 PC/PACK 1



SIA1
 ANCHORAGE BASE WITH CLAMPS.
 PC/PACK 1



KIT SOLEMYO
 THE SOLAR POWER TO AUTOMATE GATES, GARAGE DOORS OR BARRIER GATES. SEE PAGE 200



PS124
 24 V BATTERY WITH INTEGRATED BATTERY CHARGER.
 PC/PACK 1



XBA7
 INTEGRABLE FLASHING LIGHT.
 PC/PACK 1



XBA13
 RUBBER IMPACT PROTECTION STRIP. LENGTH 1 m.
 PC/PACK 9



XBA4
 INDICATOR LIGHTS FOR CLICK FIXTURE ON UPPER OR LOWER SIDE OF BAR. LENGTH 4 m.
 PC/PACK 1

Nice recommends customers order products in pallets in order to facilitate storage and delivery, and ensure packs are uniform. The number of packs per single pallet has been specified for this reason. Approximate draft.

FOR SWING GATES

FOR SLIDING GATES

BARRIER GATE OPERATOR SYSTEMS

FOR GARAGE AND INDUSTRIAL DOORS

CONTROL SYSTEMS AND ACCESSORIES

COMPATIBILITY TABLE AND ALPHABETICAL INDEX